

## DESCRIPTION

AMC MODEL SWN-218-2DR-STANDARD-F9120AH-27 IS A REFLECTIVE SINGLE POLE TWO THROW PIN DIODE SWITCH. IT HAS VERY LOW INSERTION LOSS, HIGH ISOLATION, INTEGRAL TTL DRIVER AND HIGH SPEED WITHIN A 1.10" x 0.85" x 0.38" PACKAGE.

## SPECIFICATIONS

- FREQUENCY RANGE: ..... 2 TO 18 GHz
- INSERTION LOSS: ..... 1 TO 4 GHz: 1.1 dB MAXIMUM  
4 TO 8 GHz: 1.4 dB MAXIMUM  
8 TO 12.4 GHz: 2.0 dB MAXIMUM  
12.4 TO 18 GHz: 2.5 dB MAXIMUM
- ISOLATION: ..... 1 TO 12.4 GHz: 60 dB MAXIMUM  
12.4 TO 18 GHz: 50 dB MAXIMUM
- VSWR: ..... 1 TO 12.4 GHz: 1.75:1 MAXIMUM  
12.4 TO 18 GHz: 2.0:1 MAXIMUM
- RISE TIME: ..... 10 nSec MAXIMUM
- FALL TIME: ..... 10 nSec MAXIMUM
- DELAY ON: ..... 20 nSec MAXIMUM
- DELAY OFF: ..... 20 nSec MAXIMUM
- POWER HANDLING: ..... 1 WATT CW OR PEAK
- SURVIVAL POWER: ..... 1 WATT AVERAGE, 75 WATTS PEAK  
(1 uSec MAXIMUM PULSE WIDTH)
- CONTROL: ..... LOGIC "0" = ON, "1" = OFF
- POWER SUPPLY: ..... +5V @ 60 mA MAXIMUM  
-12V TO -15V @ 50 mA MAXIMUM
- SIZE: ..... 1.10" (L) x 0.85" (W) x 0.38" (H)
- WEIGHT: ..... 0.75 oz.

## OPTIONS:

- 118: ..... 1 TO 18 GHz FREQUENCY RANGE
- 218: ..... 2 TO 18 GHz FREQUENCY RANGE
- HPR1W: ..... HIGH POWER 1 WATT
- HPR2W: ..... HIGH POWER 2 WATTS
- SMC: ..... SMC CONTROL CONNECTOR
- -15V: ..... -15 VOLT POWER SUPPLY
- LVT: ..... LOW VIDEO TRANSIENTS (SPECIFY VALUE)

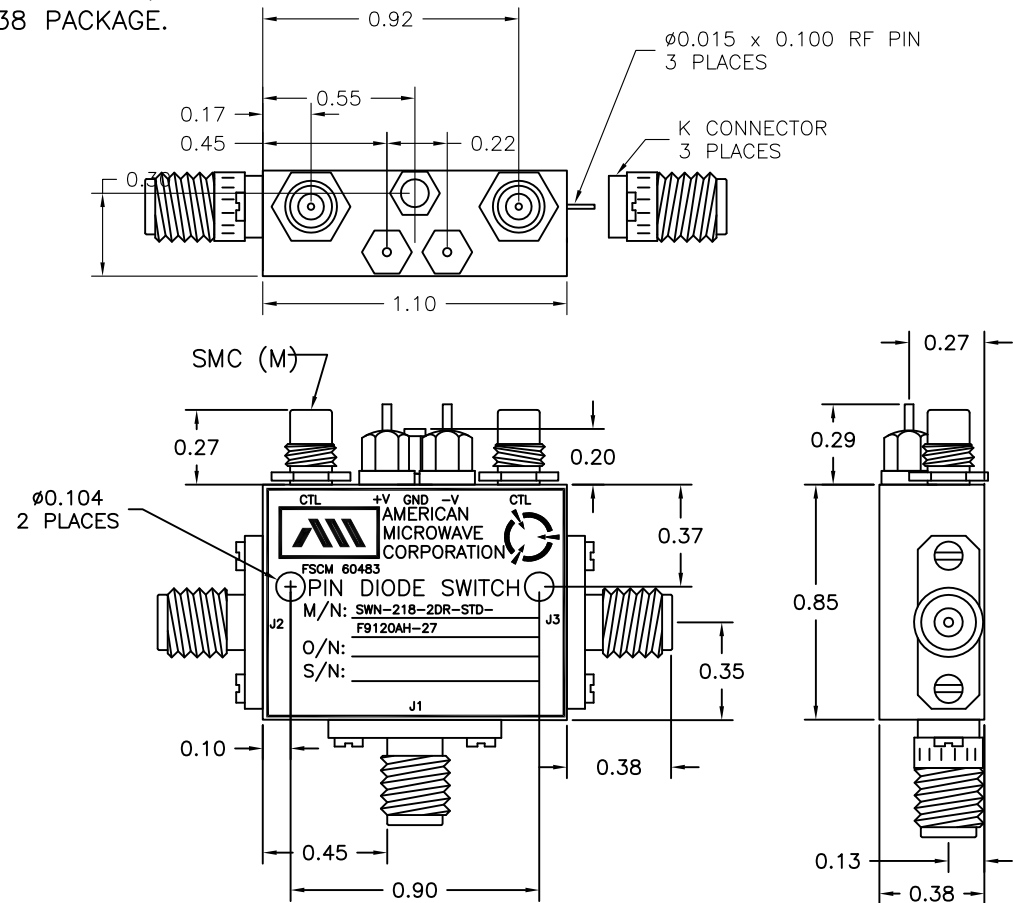
## ENVIRONMENTAL RATINGS:

- TEMPERATURE: ..... -55°C TO +85°C (OPERATING)  
-65°C TO +125°C (STORAGE)
- HUMIDITY: ..... MIL-STD-202F, METHOD 103B COND. B
- SHOCK: ..... MIL-STD-202F, METHOD 213B COND. B
- VIBRATION: ..... MIL-STD-202F, METHOD 204D COND. B
- ALTITUDE: ..... MIL-STD-202F, METHOD 105C COND. B
- TEMPERATURE CYCLE: ..... MIL-STD-202F, METHOD 107D COND. A

NOTE: SPECIFICATIONS WILL VARY OVER OPERATING TEMPERATURE  
NOTE: THE ABOVE SPECIFICATIONS ARE SUBJECT TO CHANGE OR REVISION

ALL DIMENSIONS ARE IN INCHES  
TOLERANCES:  
X.XX ±0.020  
X.XXX ±0.010

REVISIONS				
ZONE	REV.	DESCRIPTION	DATE	APPROVED
	-	ORIGINAL RELEASE JOB# 409234PE	10/11/04	
	A	SEE ECN# 14-032	8/18/14	RA



## AMERICAN MICROWAVE CORPORATION

7311-G GROVE ROAD  
FREDERICK, MARYLAND 21704 USA  
TEL: 301-662-4700 FAX: 301-662-4938  
WEBSITE: [www.americamicrowavecorp.com](http://www.americamicrowavecorp.com)  
E-MAIL: [sales@americamicrowavecorp.com](mailto:sales@americamicrowavecorp.com)  
ISO 9001:2000 CERTIFIED



APPROVALS		DATE	TITLE		
DRAWN <i>878</i>		10/11/04	PRODUCT FEATURE		
CHECKED			SWN-218-2DR-STANDARD-F9120AH-27		
ISSUED			2-18 GHz, SINGLE POLE TWO THROW SWITCH		
SIZE	FSCM NO.	DWG NO.	REV.		
A	60483	100-7151	A		
SCALE N:S			SHEET 1 OF 1		